



Load securing system

Secure the load exactly as you want by changing over the equipment before each journey. With the LAXO Sleeve on the platform, you are free to choose between container mounts, stanchions, anchoring eyelets or other special solutions.

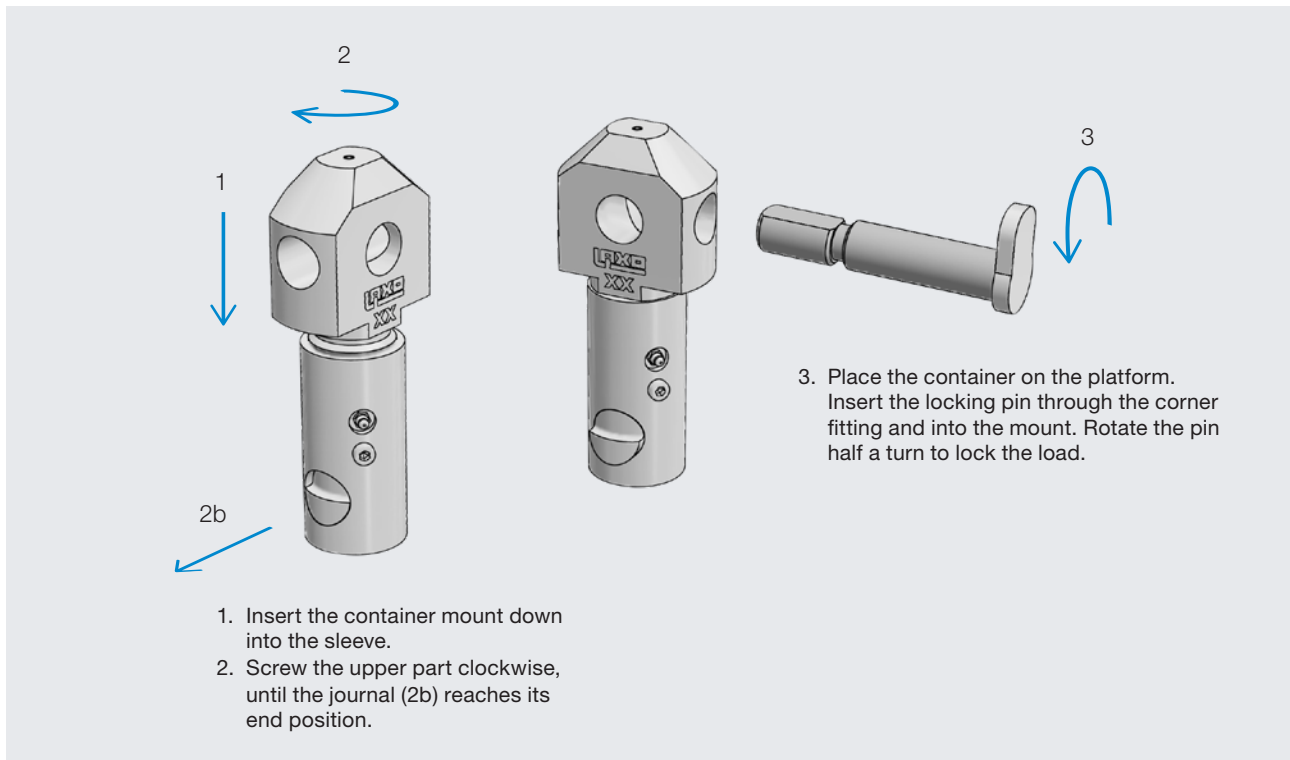
The fact that your needs are constantly changing doesn't matter at all – with the LAXO Load securing system, you can adapt and develop your operation as much as you want.

The system comprises several parts

- LAXO Sleeve
- LAXO Container lock
- LAXO Steel stanchion
- LAXO Aluminium stanchion
- LAXO Anchoring eyelet

Container lock

- Flexible modular system
- Patented sleeve
- Change to stanchion or eyelet
- ADR-approved container mounts
- All securing of loads is performed from above



Container lock

You can easily secure your container freight using our ADR-approved container locks. The fact that all securing of the load is performed from above means that any manoeuvring takes place smoothly.

With a LAXO Container lock in each corner, you can secure a container weighing up to 32 tonnes.

Technical specification

Part no.	Designation	Weight
2122386	Container lock	5.3 kg

